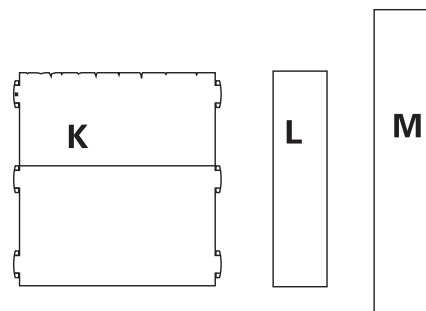
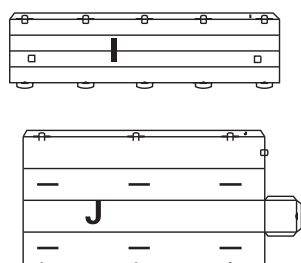
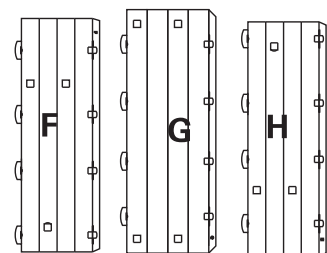
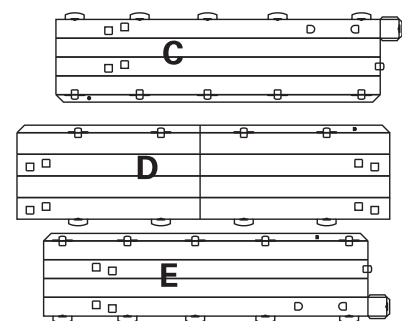
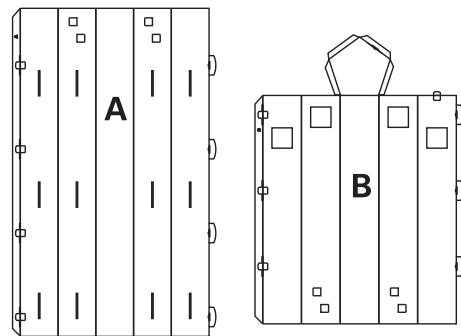


13745933 3D Stable Stand-Up Instructions

©2016 Oriental Trading Company, Inc.
 OrientalTrading.com (800)-228-2269

COMPONENTS INCLUDED

- QTY.3 A) POST BOTTOM
- QTY.3 B) POST TOP
- QTY.1 C) LARGE BEAM LEFT
- QTY.1 D) LARGE BEAM CENTER
- QTY.1 E) LARGE BEAM RIGHT
- QTY.1 F) MEDIUM BEAM LEFT
- QTY.1 G) MEDIUM BEAM CENTER
- QTY.1 H) MEDIUM BEAM RIGHT
- QTY.1 I) SMALL BEAM
- QTY.1 J) SMALL POST
- QTY.3 K) WALL
- QTY.5 L) SMALL PLANK
- QTY.5 M) MEDIUM PLANK



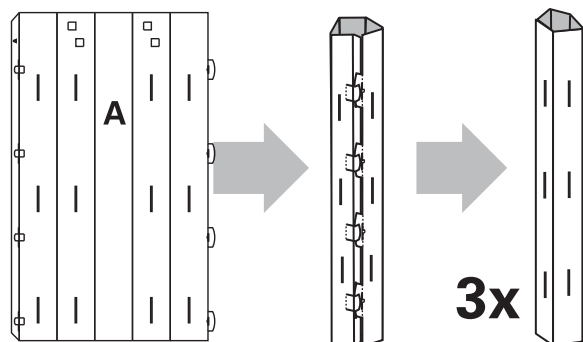
BEFORE YOU BEGIN ASSEMBLY:

- Check that all materials are included in your kit.
- Please read through the instructions before you begin assembly.
- Make sure that your work area is spacious enough to assemble the stable.
- It is best to assemble the stable in the area you want it located in.
- Assembly time should be about 1/2 hour for 2-3 people.

STEP 1:

Fold a Post Bottom (A) along the score lines to form a long pentagon box shape with the printed side facing out. Fasten the box shape securely by inserting the large and small tabs into the slot openings.

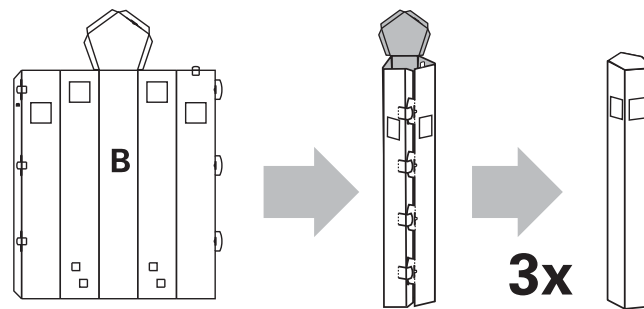
Repeat Step 1 to make a total of three Post Bottoms.



STEP 2:

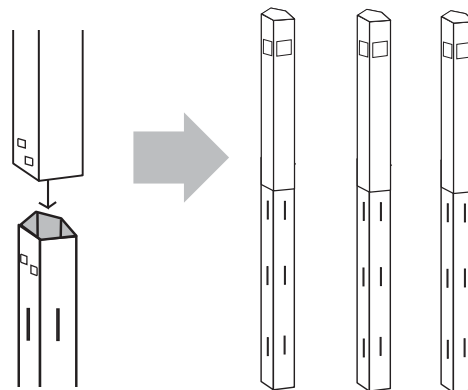
Fold a Post Top (B) along the score lines to form a long pentagon box shape with the printed side facing out. Fasten the box shape securely by inserting the large and small tabs into the slot openings. Close the lid at the top.

Repeat Step 2 to make a total of three Post Tops.



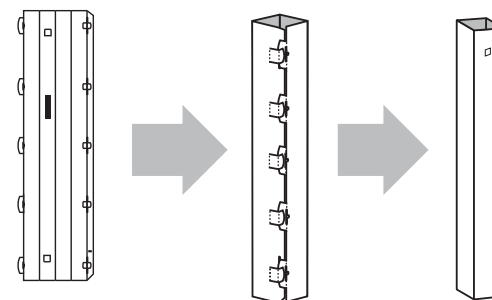
STEP 3:

Insert the Post Tops (B) into the Post Bottoms (A). Be sure the seams of each post are aligned. Push and fold the four square tabs inward to lock the two posts together.



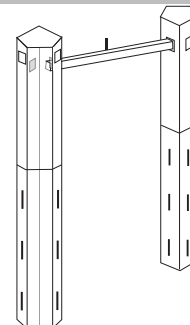
STEP 4:

Fold Small Beam (I) along the score lines to form a long box shape with the printed side facing out. Fasten the box shape securely by inserting the large and small tabs into the slot openings.



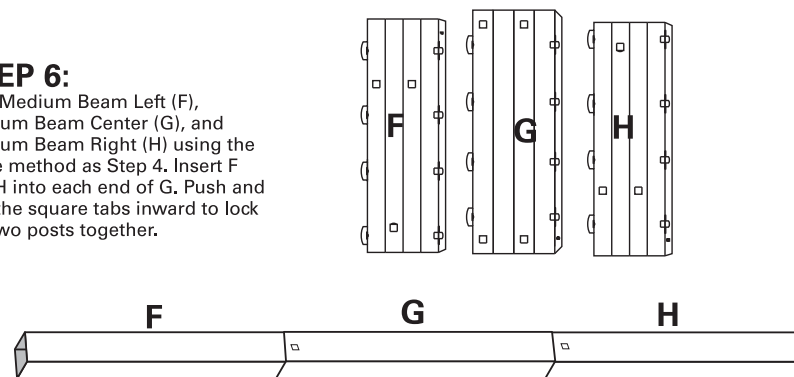
STEP 5:

Set two of the posts from Step 3 up as shown. The side with no holes in it should face you on the left and face away from you on the right. Insert Small Beam (I) from the last step into the two bottom holes facing each other.



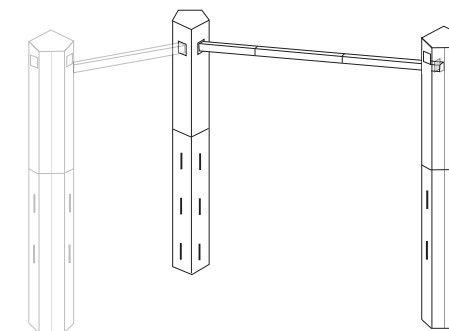
STEP 6:

Fold Medium Beam Left (F), Medium Beam Center (G), and Medium Beam Right (H) using the same method as Step 4. Insert F and H into each end of G. Push and fold the square tabs inward to lock the two posts together.



STEP 7:

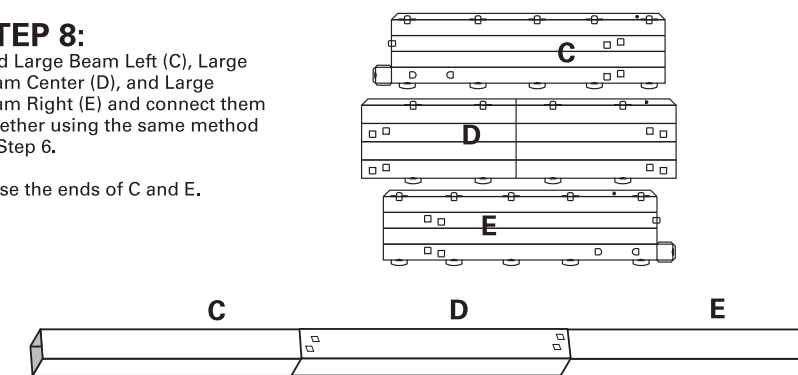
Place the third post from Step 3 to the right of the other two. The side with no holes should face you. Insert the connected Medium Beam from the last step into the two bottom holes facing each other.



STEP 8:

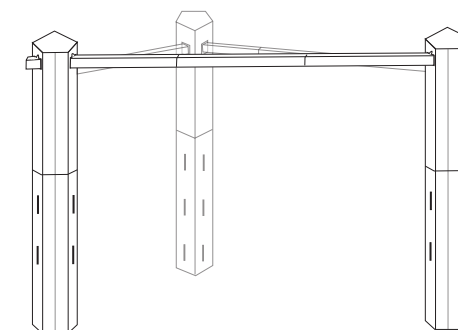
Fold Large Beam Left (C), Large Beam Center (D), and Large Beam Right (E) and connect them together using the same method as Step 6.

Close the ends of C and E.



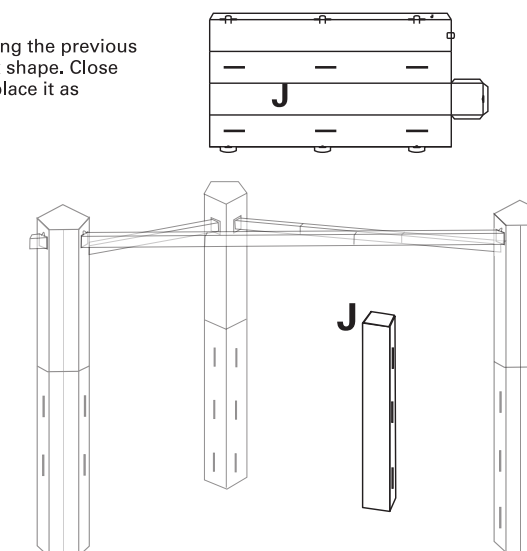
STEP 9:

Insert the connected Large Beam from the last step into the two top holes facing each other at the front of the stable. The beam should stop at the small tab which should be pulled out to keep it from moving.



STEP 10:

Fold Small Post (J) using the previous method, to form a box shape. Close the lid at the top and place it as shown.



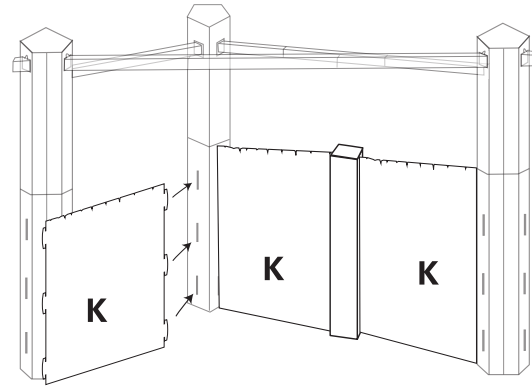
13745933 3D Stable Stand Up Instructions

©2016 Oriental Trading Company, Inc.

OrientalTrading.com (800)-228-2269

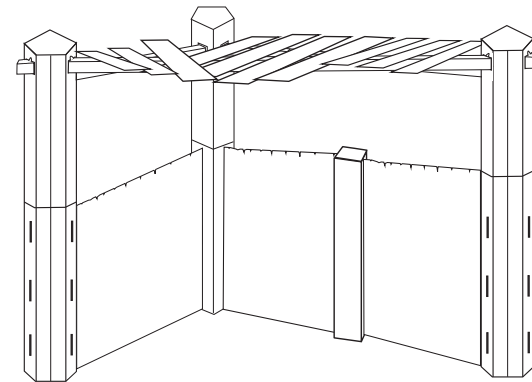
STEP 11:

Insert the three wall pieces (K) into the slots between each post as shown. Be sure the jagged edge is along the top.



STEP 12:

Arrange the Small Planks (L) and Medium Planks (M) along the top of the roof. Use the small planks along the outside edges and the medium planks in the center.



Your 3D Stable Stand-Up is finished!

Have fun with your new stable!
Use it as a display piece or
as part of a scene.

WARNING!!!
THE STABLE IS NOT CAPABLE OF
SUSTAINING HEAVY WEIGHTS.

