

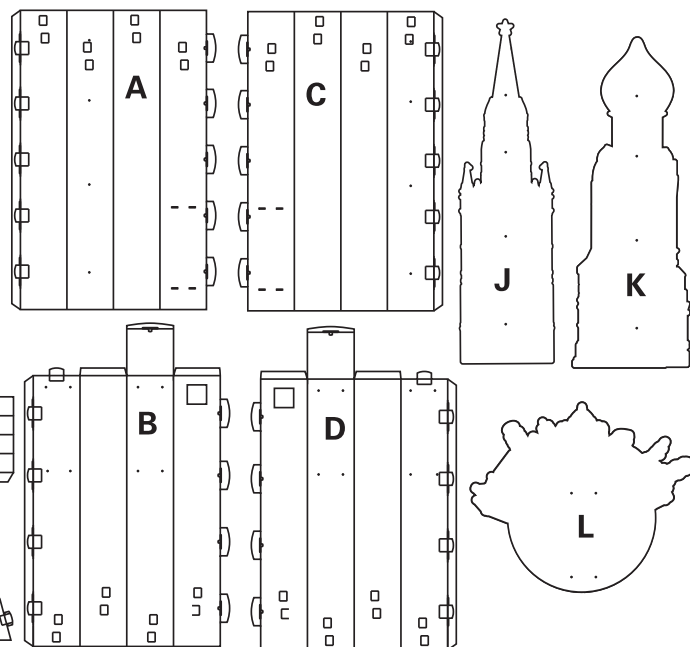
13761095 WORLD TRAVELER ARCH Instructions

©2016 Oriental Trading Company, Inc.

OrientalTrading.com (800)-228-2269

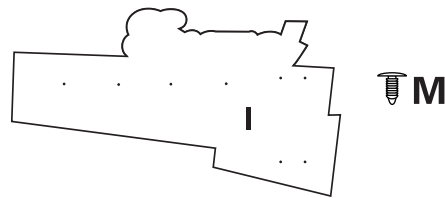
COMPONENTS LIST

QTY.1	A) RIGHT FRAME BOTTOM POST
QTY.1	B) RIGHT FRAME TOP POST
QTY.1	C) LEFT FRAME BOTTOM POST
QTY.1	D) LEFT FRAME TOP POST
QTY.1	E) SUPPORT PIECE
QTY.2	F) REAR SUPPORT COVER
QTY.2	G) REAR SUPPORT PANELS
QTY.1	I) TRAVEL THE WORLD SIGN
QTY.1	J) BUILDING 1
QTY.1	K) BUILDING 2
QTY.1	L) GLOBE
QTY.20	M) CLEAR PLASTIC PLUGS



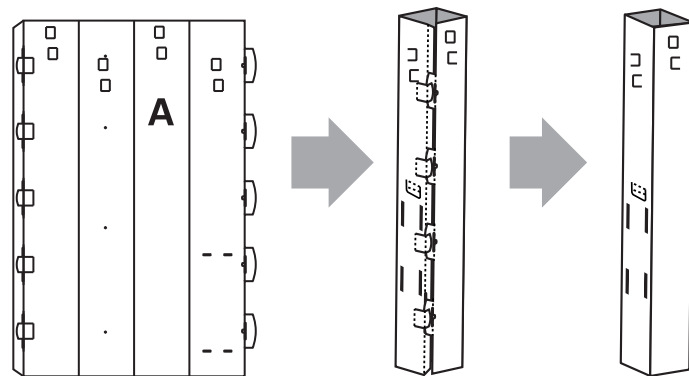
BEFORE YOU BEGIN ASSEMBLY:

- Check that all materials are included in your kit.
- Please read through the instructions before you begin assembly.
- Make sure that your work area is spacious enough to assemble the arch.
- It is best to assemble the arch in the same area you will be displaying it.
- Assembly time should be about 1 hour for three to four people.



STEP 1:

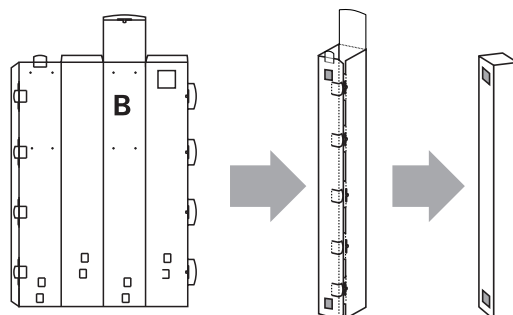
Fold Right Frame Bottom Post (A) along the score lines to form a long box shape with the printed side facing out. Fasten the box shape securely by inserting the large and small tabs into the slot openings.



Repeat for the Left Frame Bottom Post (C).

STEP 2:

Fold Right Frame Top Post (B) along the score lines to form a long box shape with the printed side facing out. Fasten the box shape securely by inserting the large and small tabs into the slot openings.



To close the top of the post, insert the small tab into the slot openings.

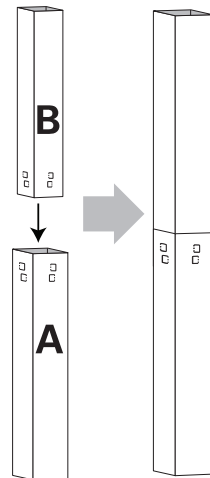
Repeat for the Left Frame Top Post (D).

STEP 3:

Insert the bottom of the Top Post (B) into the opening at the top of the Bottom Post (A). Lock the two posts together by pressing in the square side tabs on all sides.

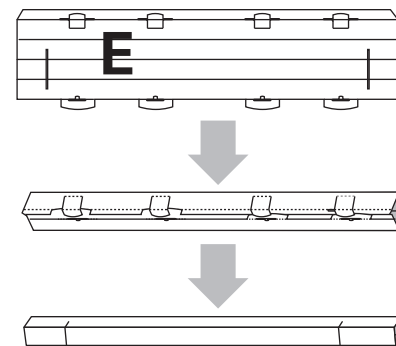
When assembling the posts, be sure to align the folded seams of the posts.

Repeat Step 3 connecting posts and D and C.



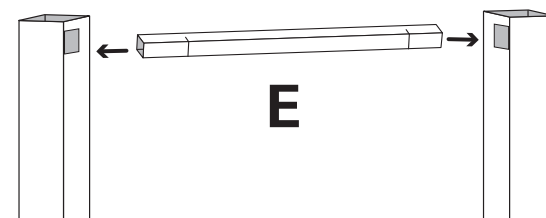
STEP 4:

Fold a Support Piece (E) along the score lines to form a box shape with the printed side facing out. Fasten the box shape securely by inserting the large and small tabs into the slot openings.



STEP 5:

Insert the ends of Support Piece (E) into the square holes at the top of the posts to create a brace.

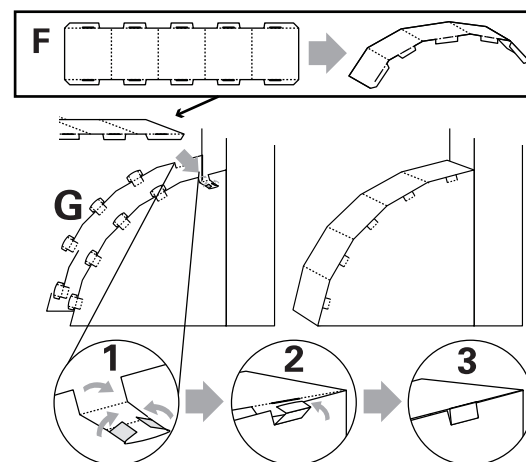


STEP 6:

Fold out all remaining tabs on both Rear Support Panels (G) and fold the outside flaps of each tab upward as shown at the right. (#1)

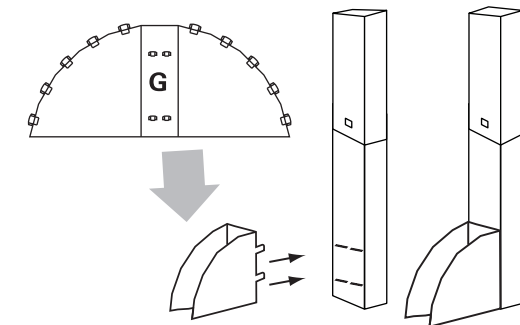
Fold the Rear Support Covers (F) on all score lines creating an arch. Attach it to the Rear Support Panel (G) at the top, one tab at a time, alternating right and left while going down. Place each tab into the corresponding openings (as shown in #1-3) making sure to push all tabs in completely.

Repeat Step 6 for the other Rear Support Cover.



STEP 7:

Pop out the four slits found at the back bottom of Right Frame Bottom Post (A). Take one of the Rear Support Panels (G) and fold it along the score lines. Then fold out the four tabs and insert the tabs into the four slot openings at the base of Right Frame Bottom Post (A).

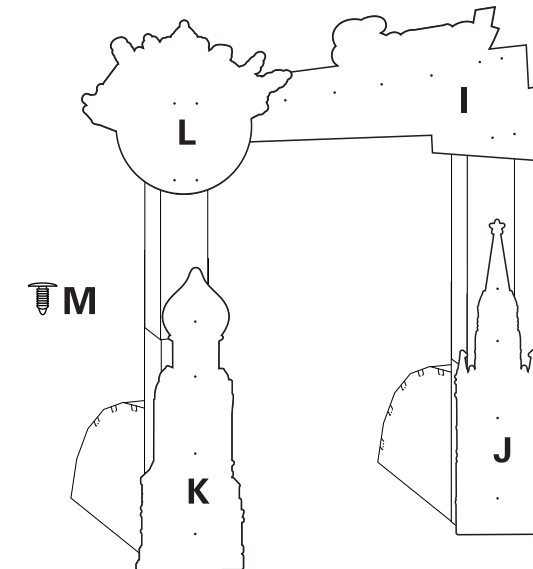


Repeat Step 7 with Left Frame Bottom Post (C) and the other Rear Support Panel.

STEP 8:

Use the plastic plugs (M) to secure the Travel The World Sign (I) and Globe (L) to the top of the arch.

Then with the plastic plugs (M) secure Building 1 (J) to the front of the right side column, and secure Building 2 (K) to the front of the left column.



Your World Traveler Archway is finished!

Enjoy your new World Traveler Archway!
Use it as a display piece or as part of a larger scene.



WARNING!!!
THE ARCHWAY IS NOT CAPABLE OF SUSTAINING HEAVY WEIGHTS.